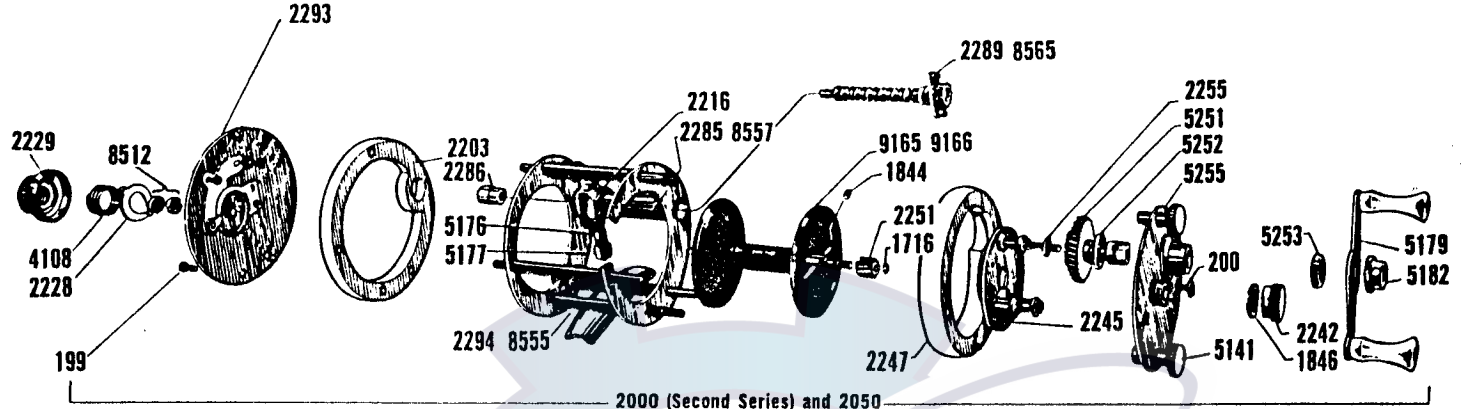




AMBASSADEUR 2000-2050

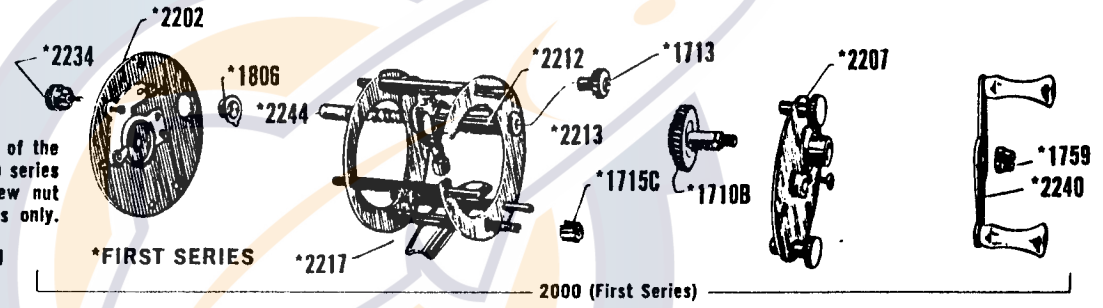


2000 (Second Series) and 2050

Items in red are for 2050

Top drawing represents the latest version of the two reels. The difference between the two series may be determined by the carriage screw nut (2234) which is found on the first series only.

Please specify both reel model and part numbers when ordering.



2000 (First Series)

Prices subject to change without notice

No.	Part Name	Price	No.	Part Name	Price	No.	Part Name	Price
199	Pillar Screw	(each) .10	2228	Spool Cap Lock	.10	5141	Side Plate Thumb Nut	(each) .25
200	Bridge Screw	(each) .10	2229	Left Spool Cap	1.60	5176	Line Carriage Pawl	.60
*1710B	Drive Gear	1.60	*2234	Carriage Screw Nut	.60	5177	Line Carriage Nut	.20
*1713	Carriage Screw Gear	.50	*2240	Handle	2.50	5179	Handle	2.50
*1715C	Pinion Gear	.90	2242	Right Spool Cap	.75	5182	Handle Lock Nut	.50
1716	Pinion "C" Lock	.10	*2244	Carriage Screw	1.75	5251	Drive Gear	1.60
*1759	Handle Lock Nut	.50	2245	Gear Bridge	2.10	5252	Drive Gear Bearing	.10
*1806	Carriage Screw Bearing, Left	.20	2247	Head Ring	.60	5253	Dust Shield	.10
1844A	Brake Block, Small	(each) .10	2251	Pinion Gear	.90	5255	Right Side Plate	4.25
1844B	Brake Block, Medium	(each) .10	2255	Gear Shaft Bearing	.50	8512	Spool Bearing	.25
1844C	Brake Block, Large	(each) .10	2285	Carriage Screw Guard	1.60	8555	Frame Assembly (2050)	7.95
1846	Right Spool Cap Spacer	.10	2286	Carriage Screw Bearing	.20	8557	Carriage Screw Guard (2050)	1.60
*2202	Left Side Plate Assembly	4.25	2289	Line Carriage Screw	2.50	8565	Carriage Screw (2050)	2.50
2203	Tail Ring	.60	2293	Left Side Plate Assembly	4.25	9165	(2237) Spool, complete with Container (2000)	8.75
*2207	Right Side Plate	4.25	2294	Frame Assembly	9.00	9166	(8552) Spool complete with Container (2050)	8.75
*2212	Carriage Screw Guard	1.60	4108	Spool Cap Spring	.10	9210	Spool Container	.60
*2213	Carriage Screw Bearing, Right	.10						
2216	Line Carriage	1.60						
*2217	Frame Assembly	6.20						

PARTS AND SERVICE AVAILABLE AT THE FOLLOWING REGIONAL FACTORY REPAIR DEPOTS:

FACTORY SERVICE
RODS, REELS AND PARTS

THE GARCIA SERVICE DEPARTMENT
329 ALFRED AVENUE
TEANECK, NEW JERSEY 07666

THE CONOLON CORPORATION
1111 EAST McFADDEN STREET
SANTA ANA, CALIFORNIA 92705

SILICOTE SALES DIVISION
520 WEST 14th AVENUE
OSHKOSH, WISCONSIN 54902

J. K. CLARK COMPANY
ACO SPORTSMEN SERVICE
13501 VAN DYKE
DETROIT, MICHIGAN 48234

REEL SERVICE AND PARTS

NATE BUELL SERVICE CORPORATION
5013 N.E. 42nd STREET
PORTLAND, OREGON 97218

HARRY C. MILLER CO., INC.
257 PARK AVENUE SOUTH
NEW YORK, NEW YORK 10010

SHERMAN LOYD SALES COMPANY
4737 GREENVILLE AVENUE
DALLAS, TEXAS 75206